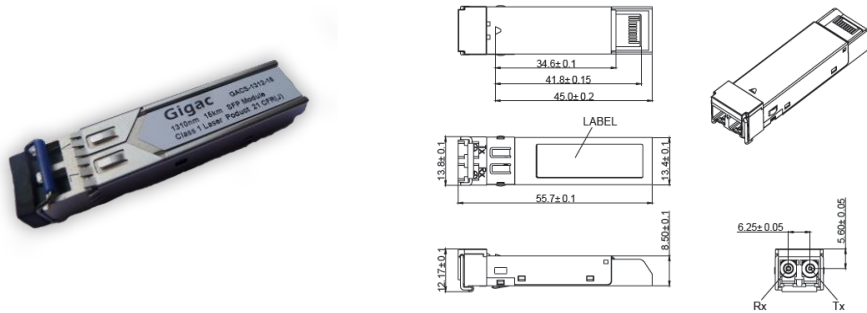


LC Dual Fiber SFP Module without DDM Giga



Application

- Fast Ethernet/ Gigabit Ethernet
- Telecom

Feature

- 1.25Gbps SFP transceiver with LC connector
- 1310nm FP laser and PIN photo detector
- 550m transmission with MMF
- 10Km~20Km transmission with SMF
- +3.3V single power supply
- LVPECL compatible data input/output interface
- Low EMI and excellent ESD protection
- Laser safety standard IEC-60825 compliant
- Compatible with RoHS

Description

- The SFP transceiver supports dual data-rate of 1.25Gbps/1.0625Gbps and from 10km to 20km transmission distance with SMF or 550m with MMF.
- The transceiver consists of two sections: The transmitter section incorporates a FP laser. The receiver section consists of a PIN photodiode integrated with a trans-impedance preamplifier (TIA).
- All modules satisfy class I laser safety requirements. The optical output can be disabled by a TTL logic high-level input of Tx Disable. Tx Fault indicates that degradation of the laser. Loss of signal (LOS) output indicates the loss of an input optical signal of receiver.
- The standard serial ID information compatible with SFP MSA describes the transceiver's capabilities, standard interfaces, manufacturer and other information. The host equipment can access this information via the 2-wire serial bus. For more information, please refer to SFP Multi-Source Agreement (MSA).