

Single Fiber Media Converter

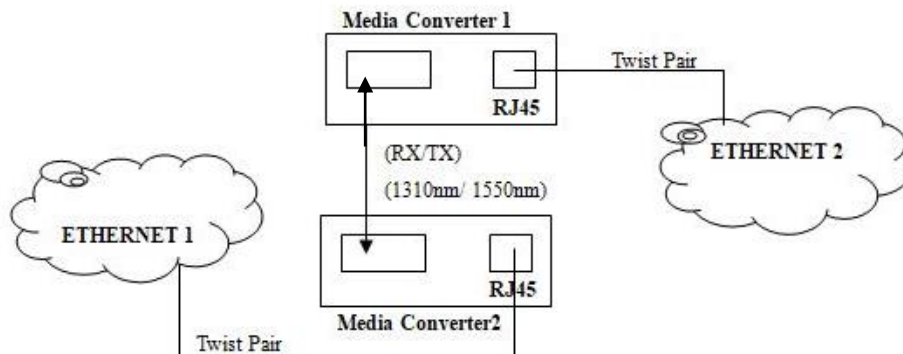
Model: MCS-SCMM/ MCS-SCSM



- 10/100Base-Tx to 100Base-Fx Media Converter
- 10/100/1000 Base-Tx to 1000 Base-Fx Media Converter

Application

- Long distance, high-speed and high-bandwidth Ethernet optical network transmission.
- Special IP data transmission network, broadband data networks, high-reliability data transfer networks.
- Especially applicable to Telecommunications, cable television, railroads, military, shipping, finance and securities.



Media Converter Application

Features

- Support 10/100/(1000)Base-TX /RX and 10/100Base-TX/RX Ethernet standards.
- Max. 2M buffer memory built in chip.
- Back pressure flow control for full duplex
- Automatic identification of MDI/MDI-X cross line.
- High-performance 1.4Gbps memory bandwidth.
- In conformity to safety code of FCC and 15 CLASS B and CE MARK.