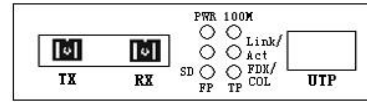


SC Dual Fiber Media Converter

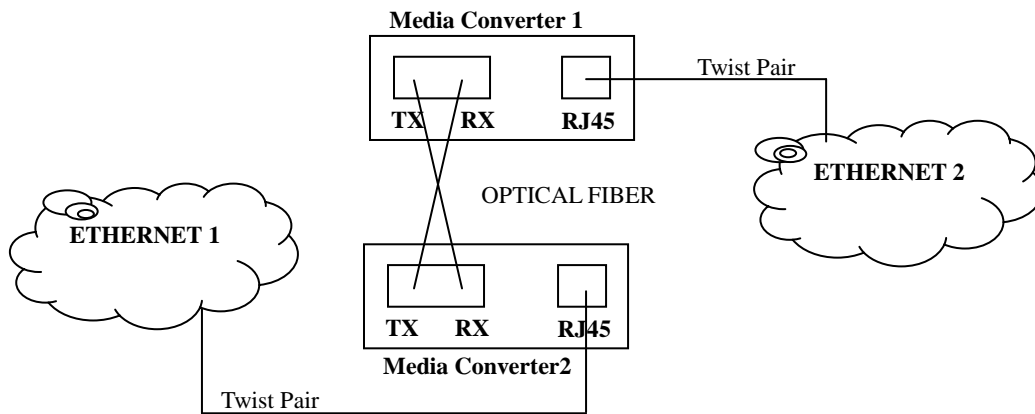
Model : MCD-SCMMG / MCD -SCSMG



- 10/100/1000 Base-Tx to 1000 Base-Fx Media Converter

Application

- Long distance, high-speed and high-bandwidth Ethernet optical network transmission.
- Special IP data transmission network, broadband data networks, high-reliability data transfer networks,
- Especially applicable to Telecommunications, cable television, railroads, military, shipping, finance and securities.



Media converter application

Features

- 2 port switch Signal from Cat6 to Optical Fiber. Optical ports include SC, FC, ST (Optional).
- Single fiber bidirectional media converter or Dual fiber media converter.
- Multimode Media Converter or Single mode Media Converter.
- Support 10/100/(1000)Base-TX and 100 (1000) Base-FX Ethernet standards.
- Support automatic MDI/MDIX, without the need for selecting cables.
- Support LFP(Link Fault Pass through) function
- Longest transmission distance reach 120 kilometers
- IEEE802.3 Ethernet Standard
- IEEE802.3u Fast Ethernet Standard